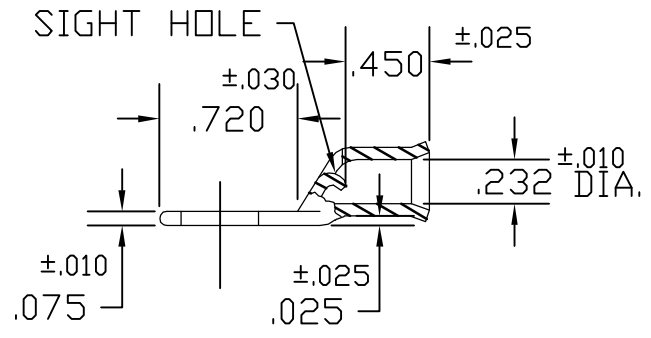
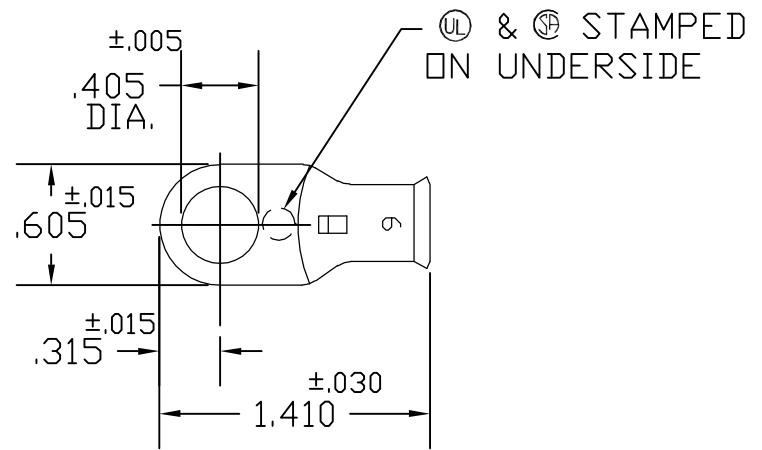


THIS DRAWING IS UNPUBLISHED. RELEASED FOR PUBLICATION
 © COPYRIGHT BY TYCO ELECTRONICS CORPORATION. ALL RIGHTS RESERVED.

LOC	DIST	REVISIONS					
		P	LTR	DESCRIPTION	DATE	DWN	APVD
G	50		A1	REV PER ECR 06-008550	20APR06	JR	DD



ACTIVE	6382-03	STANDARD	TIN PLATE	1526194-2
ACTIVE	6382-02	STANDARD	PLAIN	1526194-1
STATUS	AET P/N	PACKAGING	FINISH	PART NUMBER

THIS DRAWING IS A CONTROLLED DOCUMENT.		DWN D.A.A	10/30/00	Tyco Electronics Corporation Harrisburg, PA 17105-3608	
DIMENSIONS: INCHES		CHK H.D.F	10/30/00		
		APVD H.D.F	10/30/00	NAME 6 STANDARD TERMINAL W/SIGHT HOLE	
MATERIAL COPPER ASTM B-152		FINISH -		PRODUCT SPEC -	APPLICATION SPEC -
TOLERANCES UNLESS OTHERWISE SPECIFIED:		-		SIZE A3	CAGE CODE 00779
0 PLC	± -	WEIGHT -		DRAWING NO C-1526194	RESTRICTED TO -
1 PLC	± -	CUSTOMER DRAWING		SCALE 1:1	SHEET 1 OF 1
2 PLC	± -			REV A1	
3 PLC	± -				
4 PLC	± -				
ANGLES	± -				